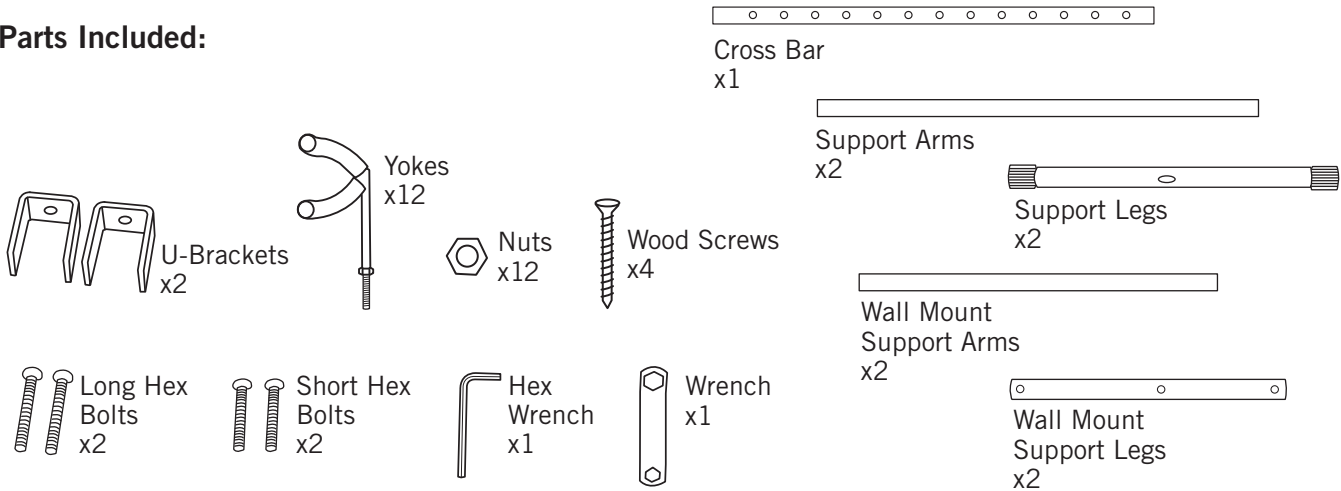


GS5012 12-Space Ukulele Rack



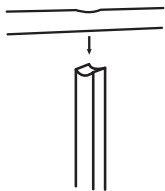
Instruction Manual

Parts Included:



Assembly Instructions

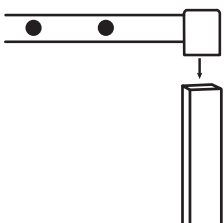
Assembling as a Stand



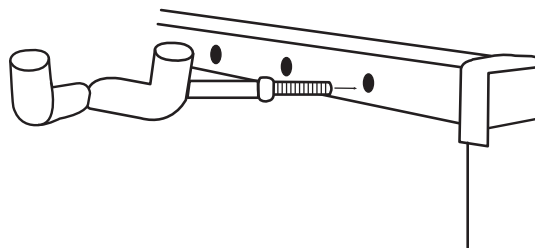
1. Attach support leg to support arm using one short hex bolt. Tighten bolt securely. Flip over so leg is on the ground. Repeat for second pair.



2. Attach U-bracket to end cross bar using one long hex bolt. Make sure yoke holes are on the sides. Repeat with second U-bracket on opposite end.



3. Attach cross bar with U-bracket and long hex bolt into one support arm. Tighten bolt securely.

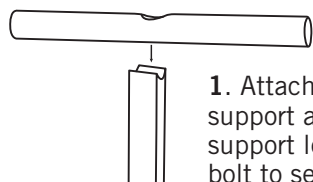


4. Insert one yoke into cross bar. Fasten one nut to opposite side using wrench to secure yoke.

5. Repeat step 4 for remaining yokes and nuts.

Assembly Instructions

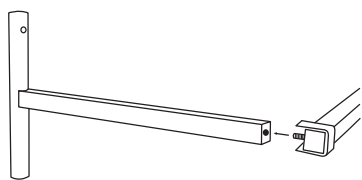
Mounting to Wall



1. Attach wall mount support arm to wall mount support leg. Use short hex bolt to secure tightly. Repeat for second pair.



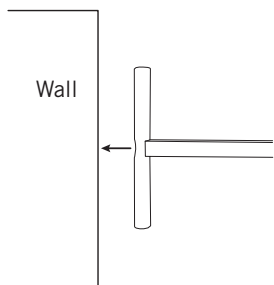
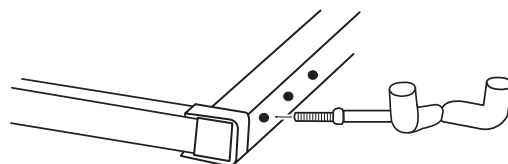
2. Attach U-bracket to end cross bar using one long hex bolt. Make sure yoke holes are on the same side as the U-bracket. Repeat on the same side as the U-bracket.



3. Attach cross bar with U-bracket into wall support leg with long hex bolt. Holes should be parallel with wall mount support arm. Tighten bolt securely.

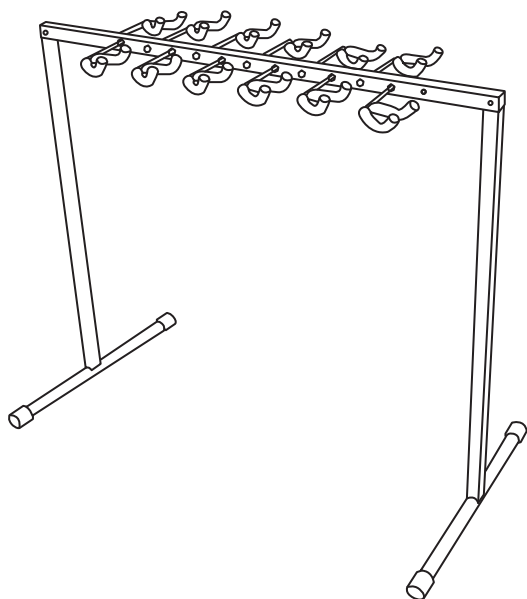
4. Insert one yoke into cross bar. Fasten one nut to opposite side using wrench to secure yoke.

5. Repeat step 4 for remaining yokes and nuts.



6. Attach assembled wall mount support leg to wall. Be sure to use a stud finder or wall anchors to properly secure the GS5012.

Completed Stand



Completed Wall Mount

